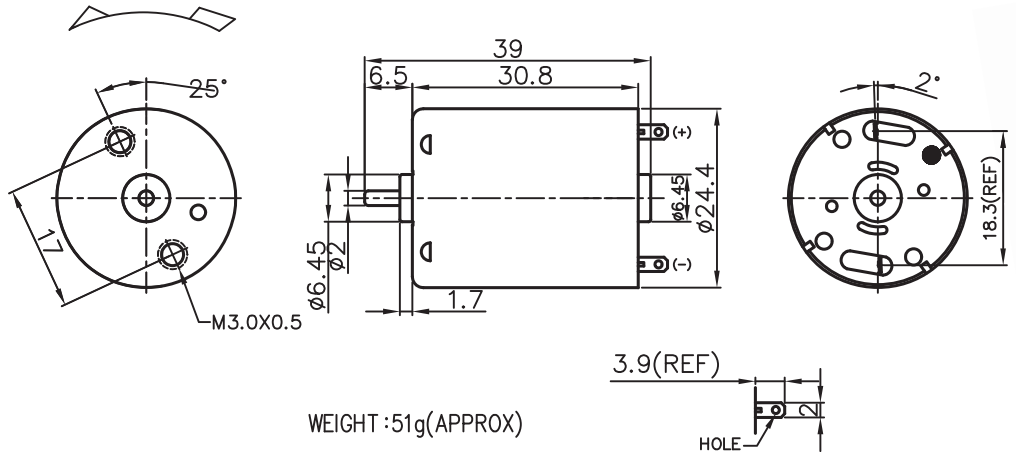


POINT : Blood Pressure Meter 、 Distinguishes the paper money

DIRECTION OF ROTATION



WEIGHT : 51g(APPROX)

MODEL	VOLTAGE		NO LOAD		AT MAXIMUM EFFICIENCY					STALL			
	OPERATING RANGE	NOMNAL	SPEED rpm	CURRENT A	SPEED rpm	CURRENT A	TORQUE g-cm	OUTPUT mN-m	EFF %	CURRENT A	TORQUE g-cm	TORQUE mN-m	
RF-370CH-10500	12.0 - 24.0	24.0V CONSTANT	8000	0.02	6100	0.14	29	2.84	1.85	60	0.64	172	16.86
RF-370CH-12560	4.0 - 12.0	12.0V CONSTANT	3700	0.01	3000	0.09	20	1.96	0.62	62	0.70	125	12.25
RF-370CH-14320	3.0 - 6.0	6.0V CONSTANT	3200	0.03	2400	0.14	18	1.76	0.47	58	0.54	90	8.82
RF-370CH-15370	3.0 - 12.0	12.0V CONSTANT	5600	0.02	4800	0.15	26	2.54	1.30	70	0.94	186	18.24

