

# MCA-25T MCA-50T MCA50TL MCA50TC

**Concentration of professional expertise of No.1-reliability Daiken, We make our clutches as the world's thinnest series.**



● **Miniaturizing products (The volume ratio almost 2/3)**

The world's thinnest (at 2007/5) still more equalizing the shaft length of 2types. Obtain miniaturizing your products and easy designing.

● **Reducing the connecting time and enhancing the precision of them**

By the new type armatures and springs, the connecting time is reduced almost 1/3. Obtain improving the performance of your products and quietness of the armature connecting sound.

● **UL·CSA complied products**

International standards UL·CSA complied materials are used in our parts e.g. coil, lead wire, ..etc. They are able to assemble in export finished goods without modification.

● **Environmentally friendly product**

Complied with RoHS ; Halogen Free compliance is also negotiable.

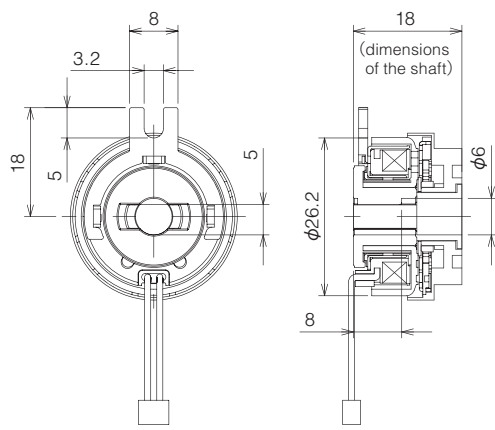
● **Internal supply in China**

Lead time and delivery cost are reduced remarkably due to internal supply by our factory in Guang Dong Province, China.

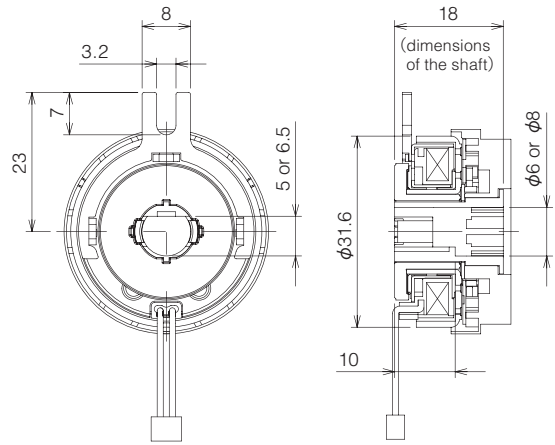
Type	MCA-25T	MCA-50T
Rated Voltage	DC24V	
Capacity	3.0W(±10%)	
Static Friction Torque	Above 0.25Nm(10kgfcm)	Above 0.49Nm(5.0kgfcm)
Insulation Classification	E Class[Electrical Safety·TUV(IEC950)] A Class[UL·CSA]	
Withstand Voltage	AC 600V for 1 second	
Insulating Resistance	Above 100MΩby DC500V-Mega	
Safety Standard	The standards of Electrical Safety, UL·CSA·TUV are satisfied	
Lead Wire	Standard wire of UL1061·VW-1:CSA·AWM AWG26:Black Others and halogen free compliance is also negotiable	
Shaft	Besides of the standard, the direction and dimension of D-Cut shall be discussed	

Type	MCA50TL	MCA50TC
Rated Voltage	DC24V	
Capacity	3.0W(±10%)	
Static Friction Torque	Above 0.49Nm(5.0kgfcm)	
Insulation Classification	E Class[Electrical Safety·TUV(IEC950)] A Class[UL·CSA]	
Withstand Voltage	AC 600V for 1 second	
Insulating Resistance	Above 100MΩby DC500V-Mega	
Safety Standard	The standards of Electrical Safety, UL·CSA·TUV are satisfied	
Lead Wire	Standard wire of UL1061·VW-1:CSA·AWM AWG26:Black Others and halogen free compliance is also negotiable	—
Shaft	Besides of the standard, the direction and dimension of D-Cut shall be discussed	

**Application** Office automation equipments (Multifunctional copyingmachine, Printer, Printing machine)  
Automatic vending machine, Automated telling machine, Household automatic door  
Automatic ticketing machine, Medical equipments, Automatic curtain. . .etc.

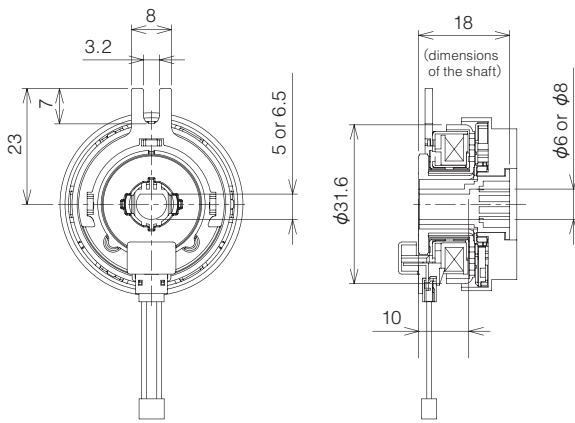


**MCA-25T**

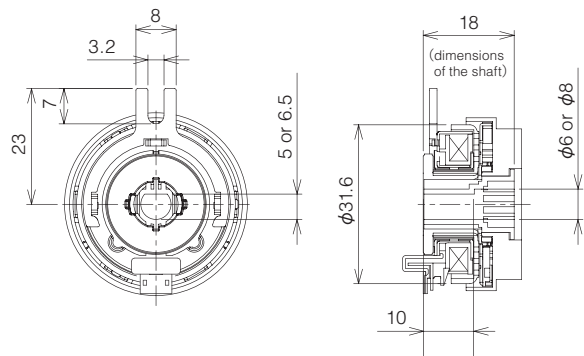


**MCA-50T**

(Unit mm)



**MCA50TL**



**MCA50TC**

(Unit mm)